

JUNIOR TIMER VALVE PLUG 90°

PUR 2x0,75 black 10m

Female 90°

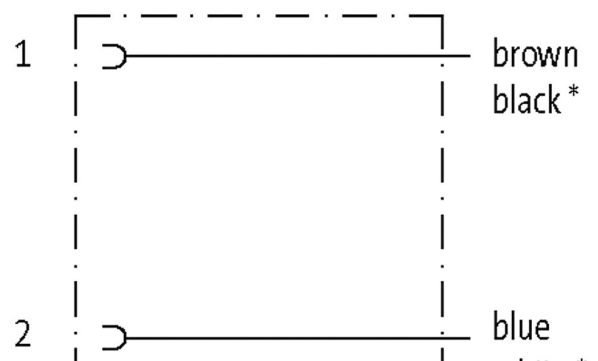
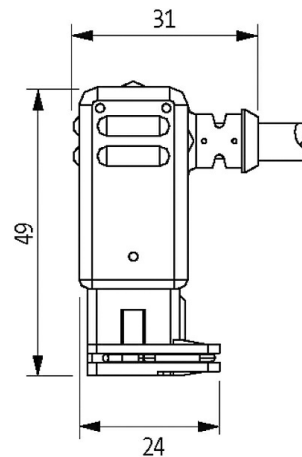
0...230 V AC/DC

without components

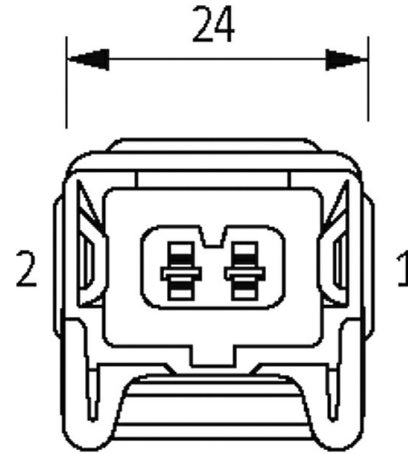
Plastic housings with good resistance against chemicals and oils.

The resistance to aggressive media should be individually tested for your application. Further details on request.

Further cable lengths on request.

[Link to Product](#)**Illustration**

white
* for cable type (740)



Product may differ from Image

Form

Form 70301

General data

Temperature range -25...+85 °C, depending on cable quality

Cables

Cable number	750
No./diameter of wires	2 × 0.75 mm ²
Wire isolation	PVC (br, bl)
Jacket Color	black
Material (jacket)	PUR/PVC
Outer Ø	5.9 mm ±5%
Bend radius (moving)	15 × outer Ø
Temperature range (fixed)	-40...+80 °C
Temperature range (mobile)	-5...+80 °C
Cable identification	750
Approval (cable)	CE conform
Cable weight [g/m]	48,40
Material (wire)	Cu wire, bare
Resistor (core)	max. 26 Ω/km (20 °C)
Single wire Ø (core)	0.2 mm
Construction (core)	24 × 0.2 mm (multi-strand wire class 5)
Diameter (core)	2 × 0.75 mm ²
AWG	similar to AWG 18
Material (wire isolation)	PVC
Color/numbering of wires	br, bl
Stranding combination	2 wires twisted
Shield	no
Material (jacket)	PUR/PVC
Outer-Ø (jacket)	5.9 mm ±5%
Color (jacket)	black

chemical resistance	good resistance to oil, gasoline and chemicals
---------------------	--

Nominal voltage	300 V AC
-----------------	----------

Test voltage	2000 V AC
--------------	-----------

Temperature range (fixed)	-40...+80 °C
---------------------------	--------------

Temperature range (mobile)	-5...+80 °C
----------------------------	-------------

Bend radius (moving)	15× outer Ø
----------------------	-------------

Technical Data

Operating voltage	0...230 V AC/DC
-------------------	-----------------

Operating current per contact	max. 4 A
-------------------------------	----------

Housing	Black plastic, flame retardant
---------	--------------------------------

Protection	IP65 inserted and tightened (EN 60529)
------------	--

Rated surge voltage	4.0 kV
---------------------	--------

Commercial data

country of origin	DE
-------------------	----

customs tariff number	85444290
-----------------------	----------

EAN	4048879285926
-----	---------------

eClass	27279218
--------	----------

Packaging unit	1
----------------	---